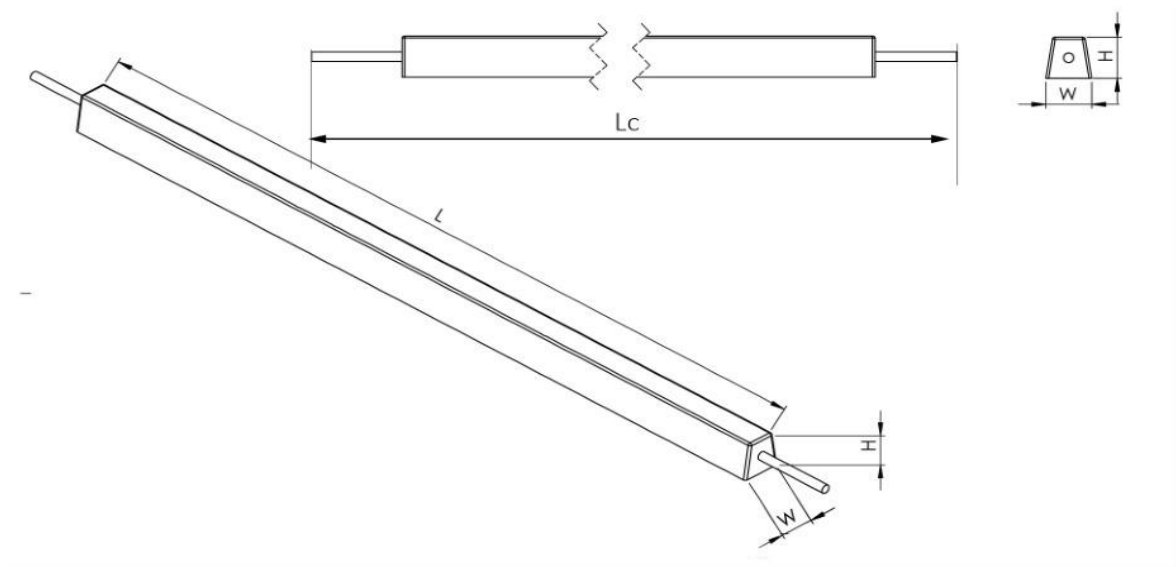




Aluminum Anode for Offshore Structures

TEMPORARY CATHODIC PROTECTION SYSTEM



REV.	Date	Description/Issued for	Prepared	Checked	APP

TECHNICAL DATA SHEET

Acc. to DNV-RP-B401:

Closed Circuit Potential (V) (Ref. to Ag/AgCl) = -1.05

Electrochemical Capacity (Ah/kg) = 2500

Efficiency (%) = 90

Performance Properties

Chemical Composition

Aluminum Anodes (According to DNV-RP-B401)	
Elements	Composition
Zn	3.0-5.0 %
In	0.02-0.05%
Si	0.10% max
Fe	0.10% max
Cu	0.006% max
Other elements, each	0.02 % max
Other elements, Total	0.05 % max
Aluminum	Remainder

Dimension (mm)

Length: 430

Height: 100

Width: 130

Rod Insert Dia (mm)

6

Wt. (Kg) (Approx.)

Net = 15

Gross = 17

Cable

Length & Size: ---

All data specifications are prepared according to relevant standards and regulations.

Note: