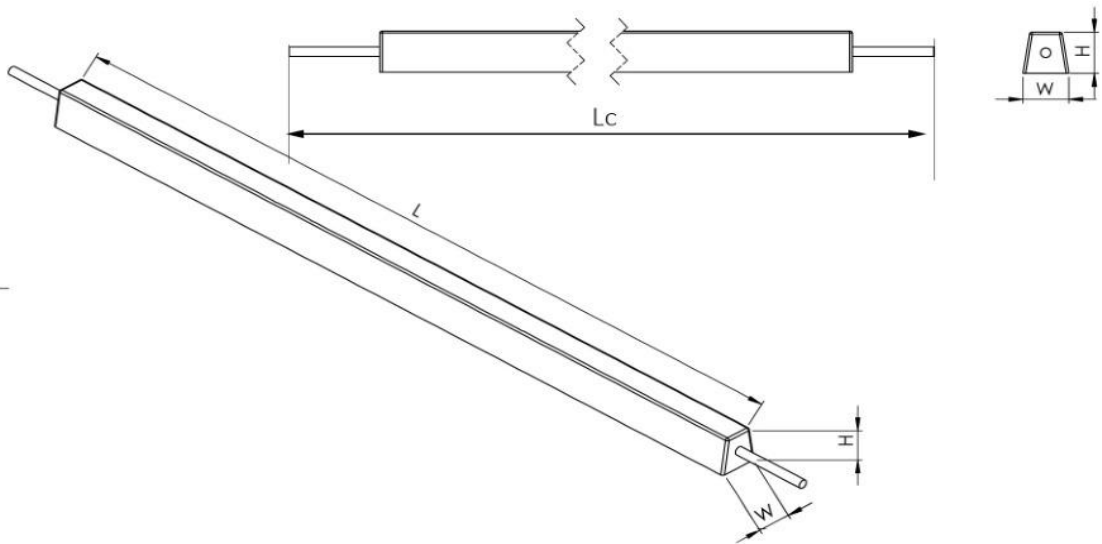




# Aluminum Anode for Offshore Structures

## TEMPORARY CATHODIC PROTECTION SYSTEM



REV.	Date	Description/Issued for	Prepared	Checked	APP
------	------	------------------------	----------	---------	-----

**TECHNICAL DATA SHEET**

**Acc. to DNV-RP-B401:**

Closed Circuit Potential (V) (Ref. to Ag/AgCl) = -1.05

Electrochemical Capacity (Ah/kg) = 2500

Efficiency (%) = 90

**Performance Properties**

**Chemical Composition**

Aluminum Anodes (According to DNV-RP-B401)	
Elements	Composition
Zn	2.5-5.75
Al	rem.
In	0.015-0.040
Cd	≤ 0.002
Si	≤ 0.12
Fe	≤ 0.09
Cu	≤ 0.003

**Dimension (mm)**

L: 2760

H: 190

W: 199

**Tubular Insert (Inch)**

4

**Net Wt. (Kg)**

240

**Cable**

Length & Size: ---

All data specifications are prepared according to relevant standards and regulations.

**Note:**