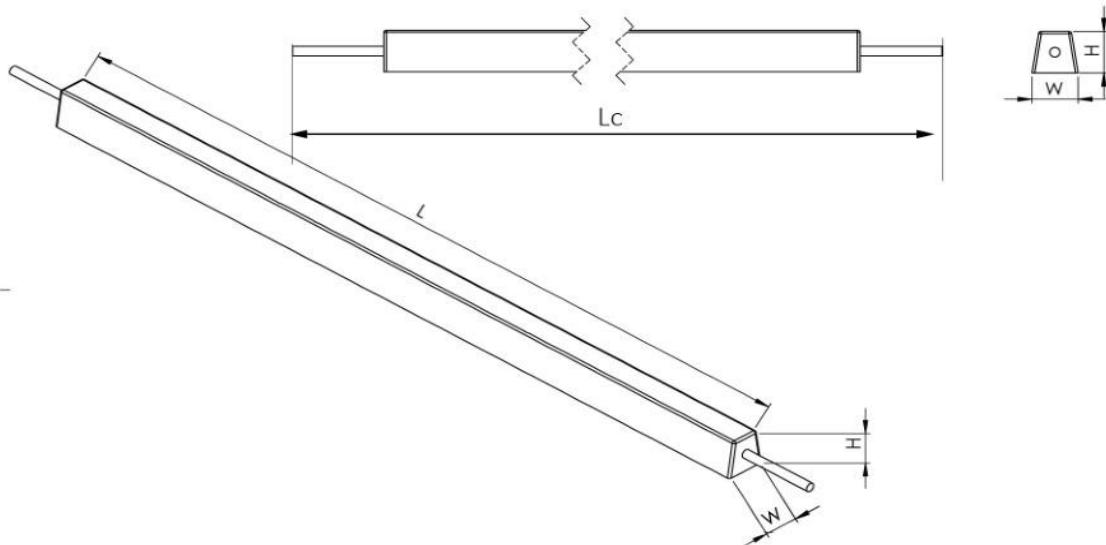


Aluminum Anode for Offshore Structures

TEMPORARY CATHODIC PROTECTION SYSTEM



REV.	Date	Description/Issued for	Prepared	Checked	APP

TECHNICAL DATA SHEET

Acc. to DNV-RP-B401:

Closed Circuit Potential (V) (Ref. to Ag/AgCl) = -1.05

Electrochemical Capacity (Ah/kg) = 2500

Efficiency (%) = 90

Performance Properties

Chemical Composition

Aluminum Anodes (According to DNV-RP-B401)	
Elements	Composition
Zn	2.5-5.75
Al	rem.
In	0.015-0.040
Cd	≤ 0.002
Si	≤ 0.12
Fe	≤ 0.09
Cu	≤ 0.003

Dimension (mm)

L: 1320

H: 102

W: 102

Tubular Insert (mm)

19

Wt. (Kg) (Approx.)

Net=35

Gross=38

Cable

Length & Size: ---

All data specifications are prepared according to relevant standards and regulations.

Note: