

1

2

3

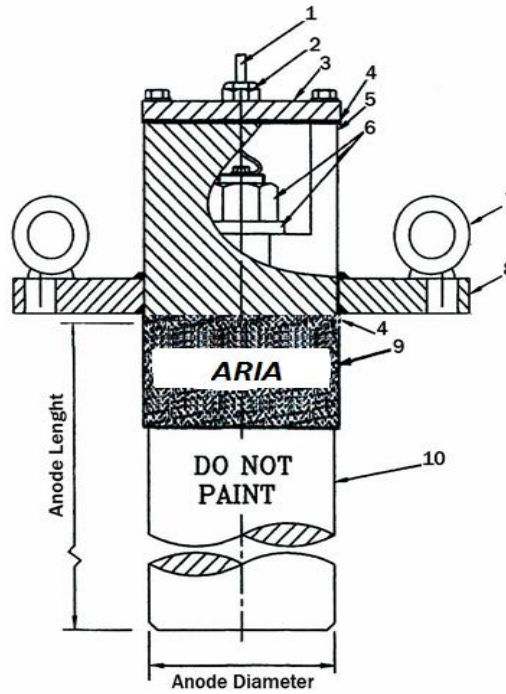
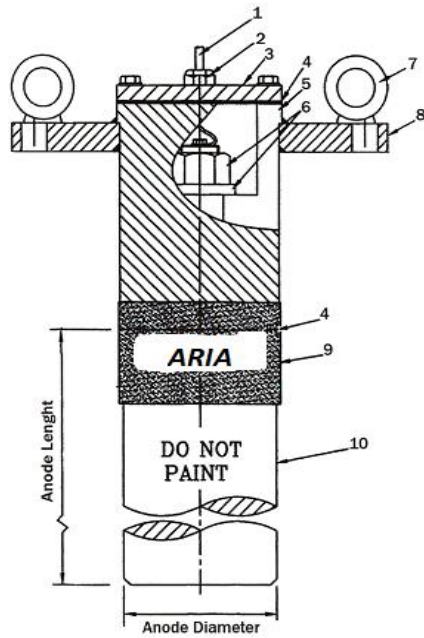
4

5

6

(Type 1)

(Type 2)



NO.	Description
1	Anode Cable
2	Cable Gland
3	Lid For Mounting Sleeve
4	Gasket
5	Mounting Sleeve
6	Anode Mounting Accessory
7	Eyebolt For Lifting
8	Anode Mounting Flange
9	Tube
10	Anode

### Specification

Copper Anode Length:	520 mm
Aluminum Anode Length:	420 mm
Copper & Aluminum Anode Diameter:	110 mm
Cable:	Insulation Type:
	Length:
	Size:
Flange: According To Your Inquiry (Type 1 Or Type 2)	



[www.Danesharia.com](http://www.Danesharia.com)  
[info@danesharia.ir](mailto:info@danesharia.ir)

### Danesh Aria Co

Danesh Aria Co				TITLE:	
Design:	M.Rahmani	SIGNATURE	DATE	COPPER AND ALUMINIUM ANODE FOR IMPRESSED CURRENT ANTI FOULING SYSTEMS	
Draw:	M.Rahmani			DWG NO.	A4
Checked:	A.AKHLAGHI		1400/01/21		
Approved:	A.AKHLAGHI		1400/01/15	SCALE:	SHEET 1 OF 1
MATERIAL: COPPER AND ALUMINIUM					